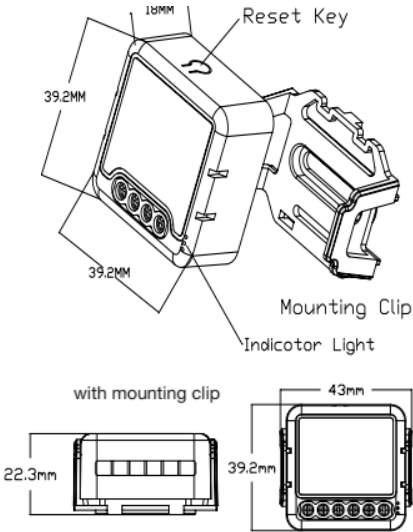


Wi-Fi SMART HOME - Light Switch Module User Manual

The switch module terminal reserves the access of manual override function for the end-user to switch on/off.

Notes:

- 1) Both the adjustment on App and switch can overwrite each other, the last adjustment remains in memory.
- 2) The App control is synchronized with the manual switch.



Product type	ATLO-SW1-TUYA	ATLO-SW2-TUYA	ATLO-SW3-TUYA	ATLO-SW4-TUYA
Voltage	AC100-240V 50/60Hz			
Max. load	LED 250W10A	LED 2x150W 2x5A	LED 3x150W 3x3.3A	LED 4x150W 4x2.5A
Operation frequency	2.412GHz-2.484GHz			
Protocol	WIFI IEEE 802.11b/g/n			
Operation range	<100m			
IP rating	IP20			
Operation temp.	-10°C + 40°C			
Dims (WxDxH)	39.2x39.2x18 mm			

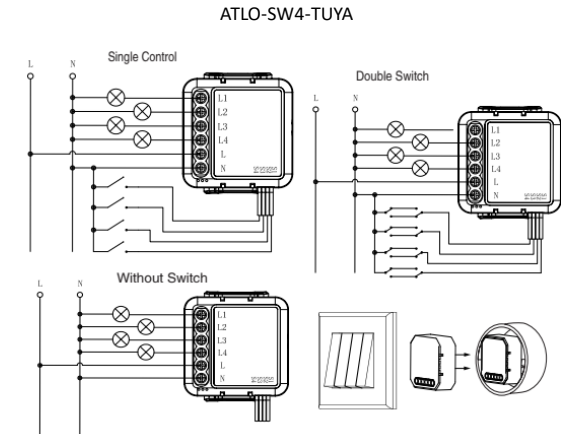
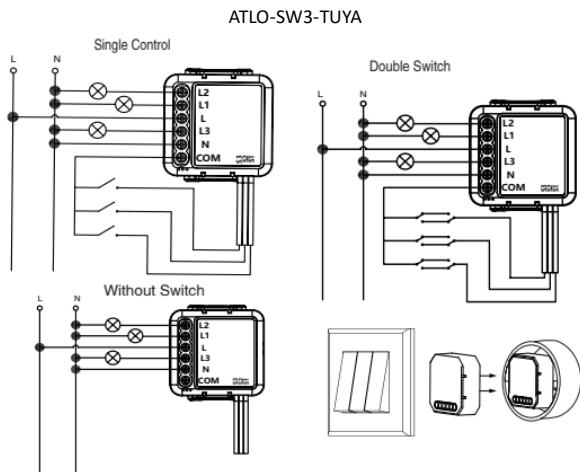
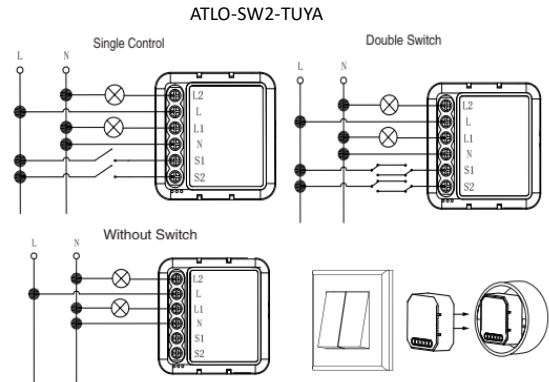
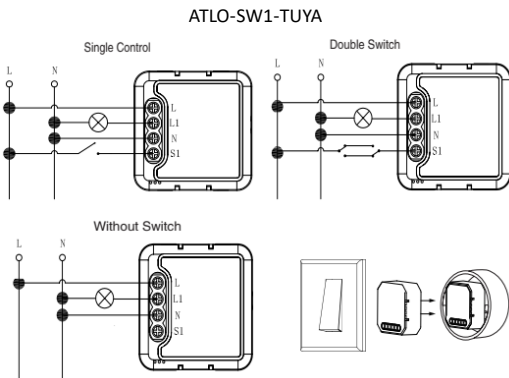


IOS APP / Android APP

Wiring Instructions and Diagrams

1. Turn off the power supply before carrying out any electrical installation work.
2. Connect wires according to the wiring diagram.
3. Insert the module into the junction box.
4. Turn on the power supply and follow switch module configuration instructions.

Notes: Take your smartphone close to the switch sure you have min. 50% Wi-Fi signal



APP USER MANUAL

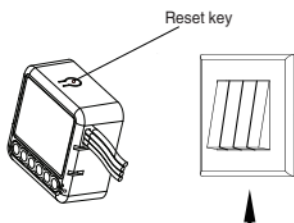
1. Scan the QR code to download Tuya Smart App, or you can also search keyword "Tuya Smart" at App IOS APP / Android APP Store or Googleplay to download App



IOS APP / Android APP

2. Log in or register your account with your mobile number or e-mail address, type in the verification code sent to your mobile phone or mail box, then set your logo password, Click " Create Family" to enter into the APP

3. After the wiring of switch module is done, press the reset key for about 10 seconds or turn on/off the traditional switch for 5 times until the indicator light inside the module is flashing quickly for pairing.



4. ①Support multi-protocol matching : WIFI/Bluetooth.

②Turn on Bluetooth,Click "+", follow the on-screen instruction for pairing.

5. The connecting will take about 10-120 seconds to complete depending on your network condition.

6. Finally, you can control the device via your mobile phone.

7. Connect to amazon alexa or Google Assistant for voice control, or share the devices with your families or friends.

8. Enjoy your smart life of home automation for lighting control by using our All-in-one mobile app wherever you are in the world or simply by voice control when you are sitting at home comfortably.

Inhouse local operation



FAQ

Q1: What should I do if I can't configure the switch module?

- Please check whether device is powered on.
- Make sure your mobile and switch module are under the same 2.4 Ghz WIFI network.
- Whether it's in good internet conditions.
- Make sure the password entered in App is correct.
- Make sure the wiring is correct.

Q2: What device can be connected to this Wi-Fi switch module?

Most of your household electrical appliances can be, such as lamps, laundry machine, coffee maker, etc.

Q3: What happens if the WIFI goes off?

You can still control the device connected the switch module with your traditional switch and once WIFI is active again the device connected to module will connect automatically to your WIFI network.

Q4: What should I do if I change the WIFI network or change the password?

You have to re-connect our Wi-Fi switch module to the new Wi-Fi network accordingly as per the App User Manual.

Q5: How do I reset the device?

Power on/off device for 5 times until the indicator light flash.